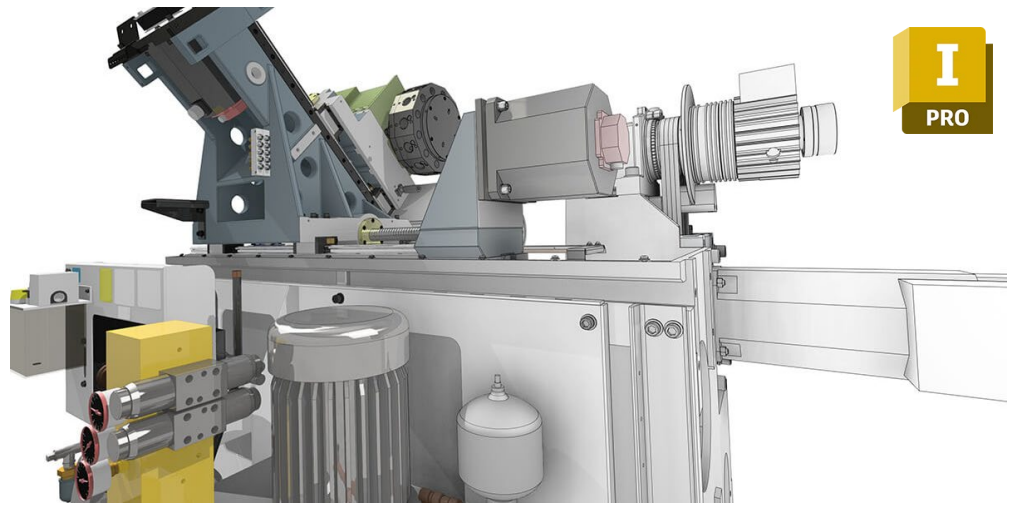


Inventor Intermediate

Training course outline

Building on the basics, intermediate-level Inventor training teaches existing users how to utilise the full power that Inventor offers, bringing significant productivity gains.



Course summary

You'll learn to use a wide range of new features and commands to power-user level in the following areas:

- Sketching.
- Constraining.
- Part modelling.
- Assembly modelling.

Hands-on exercises representing real-world, industry-specific design scenarios are carried out under guidance.

Duration

Two days.

Prerequisites

You should have a good working knowledge of Inventor for 3D parametric modelling, i.e. be familiar with the topics taught in our *Inventor Essentials* course (see armada.co.uk/inventor/syllabus).

In-class or live online

You can attend in-person at our centres, or participate live online from your place of work or home.

To read about our approach to online training, see armada.co.uk/liveonline.

General information

Armada is a long-standing Autodesk authorised Training Centre (ATC), and our courses are accredited by Autodesk.

Courses are hosted by Autodesk Certified Instructors (ACIs) with vast experience of using the application professionally.

Whilst attending training at our centres, you'll have the use of a computer running licensed software to practice the techniques taught.

Refreshments and lunch are provided.

Course fees can be paid by card or bank transfer. We accept purchase orders from UK-registered companies and public sector organisations.

Course materials and certificate

You'll receive:

- A comprehensive training guide and practice files.
- An e-certificate confirming successful completion of an accredited *Inventor Intermediate* course.

Method of delivery

Training is designed for the busy professional, being short and intensive and combining lecture and demonstration. Practical exercises carried out under guidance help you learn the techniques taught.

You have ample opportunity to discuss specific requirements with the trainer.

After course support

Following training, you're entitled to 30 days' email support from your trainer.

Further information

See armada.co.uk/course/inventorintermed.

Course syllabus

See over.

Course syllabus

Session	Topics
Further sketching and constraining	Using equations Different dimension display modes Linking Excel spreadsheet to Inventor files Additional constraint types
Further part modelling	Creating and using iParts and iFeatures Using derived part technology Using the Split tool Working with multi-body parts
Further assembly modelling	Assembly features Making the most of the Content Centre library Derived assembly occurrences Creating and using iMates to constrain parts Creating and using iAssembly configurations
Advanced techniques	Using the Bolted Connection tool Creating weldments Creating drawing views of weldments Using the Frame Generator Carrying out interference analysis